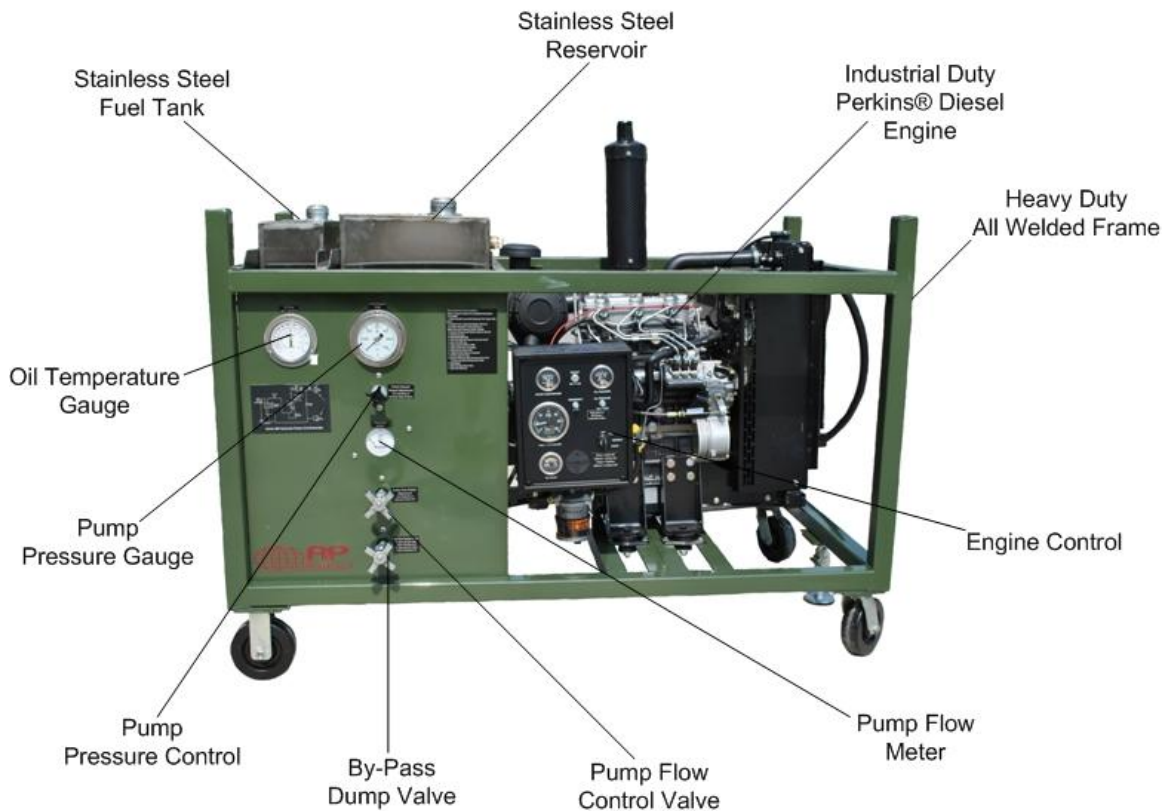


DIESEL POWERED HYDRAULIC POWER UNIT

**870
Series**

Features Dependable Perkins® Diesel Engine

**2 Year
Warranty**



Model 05-874-05

- **Perkins® Diesel Engine**
 1. Perkins® Worldwide Factory Support
 2. Engine Low Oil Pressure and Water Temperature Shut-Off
 4. Current Low Emission Standards
 5. Will Operate on Jet-A or Diesel Fuel
- **Panel Mounted Controls for Ease of Operation and Safety**
 1. Pump Flow Adjustment (0-Full GPM)
 2. Pump Pressure Adjustment (0-Full PSI)
 3. Engine Controls, Start, Throttle and Tach
- **Safety Assurance with Automatic Engine Shut-Down**
 1. Low Oil Pressure
 2. Coolant Over Temperature
- **Super Clean Filtration – Industry Leading Filtration Ensures Quality While Increasing Aircraft Component Life and Decreasing Aircraft Filter Changes**
 1. High Efficiency, Non-Bypass Pressure Filter (3 Micron Absolute)
 2. Large Capacity Return Filter (6 Micron Absolute)
 3. Pump Case Drain Filter (6 Micron Absolute)
- **Instrumentation**
 1. High Pressure, Dual Scale Flow Meter (4% Accuracy)
 2. 4" Liquid Filled Pressure Gauge (1% Accuracy)
 3. 4" Dual Scale Oil Temperature Gauge (2% Accuracy)
 4. Hour Meter

DIESEL POWERED HYDRAULIC POWER UNIT

Features Dependable Perkins® Diesel Engine

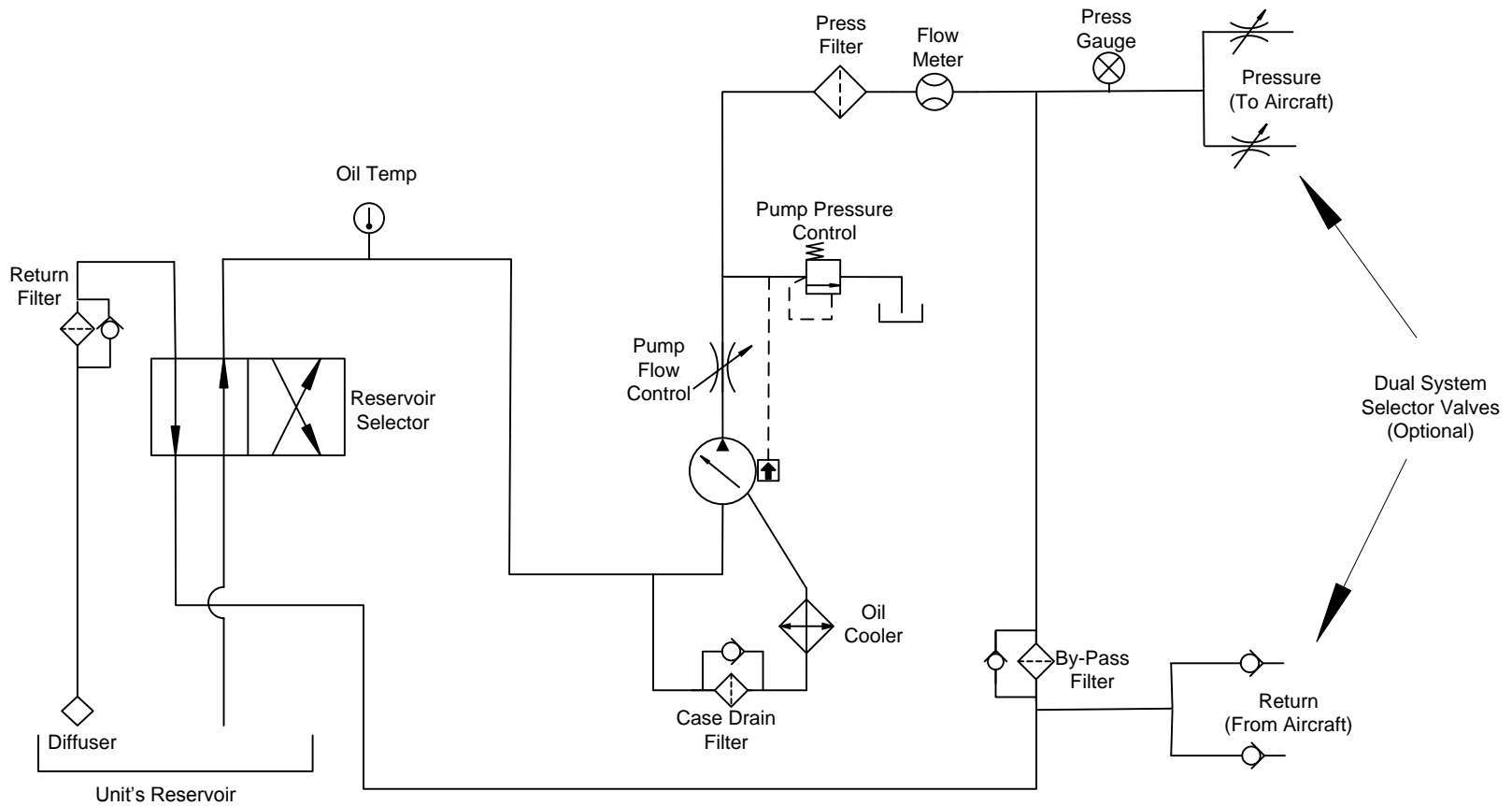
Standard Features:

- 100% Duty Cycle, Will Deliver Maximum Flow @ Maximum Pressure
- High Efficiency Oil Cooler
- Durable Laser Engraved, Aluminum Placards
- Panel Mounted Operational Instructions
- All Welded Tubular Steel Frame
- Easy Maneuvering Ensured with Two Fixed and Two Swivel Castors with Stability Provided by the Heavy Duty Floor Lock
- Heavy Duty Engine Air Filter
- High Capacity Exhaust Muffler
- Engine Vibration Mounts
- Direct Drive Pump
- Stainless Steel Reservoir (150% of Maximum Pump Flow)
- Stainless Steel Fuel Tank (8 hrs Operational)
- Reservoir Selector Valves (to use either unit's or aircraft's reservoir)
- Standard Pressure Hoses and Return Hoses, 25 ft. (7.62 m) Long
- Fuel Filter / Water Separator
- High Capacity Battery
- Easy Access Exterior Fluid Sampling Valve to Meet Quality Parameters
- Current Pressure Gauge and Flow Meter Certificate of Calibration

SPECIFICATIONS:								
SERIES MODEL	PUMP PRESSURE PSI (bar)	ENGINE HP (kw)	PUMP FLOW GPM (lpm)	RESERVOIR CAPACITY	WEIGHT Lbs. (kg)	LENGTH In (cm)	WIDTH In (cm)	HEIGHT In (cm)
05-872-**	450 - 4000 PSI 30 - 272 bar	50 HP 37 kw	20 GPM 76 lpm	50 US gal 189 lt	3900 lbs 1769 kg	86 In 218 cm	60 In 152 cm	68 In 173 cm
05-874-**	450 - 4000 PSI 30 - 272 bar	100 HP 75 kw	50 GPM 189 lpm	100 US gal 379 lt	6100 lbs 2766 kg	86 In 218 cm	60 In 152 cm	68 In 173 cm
05-876-**	450 - 4000 PSI 30 - 272 bar	150 HP 112 kw	70 GPM 264 lpm	170 US gal 643 lt	7100 lbs 3220 kg	102 In 259 cm	76 In 193 cm	75 In 190 cm
05-878-**	450 - 5000 PSI 30 - 340 bar	200 HP 149 kw	70 GPM 264 lpm	180 US gal 681 lt	7700 lbs 3493 kg	102 In 259 cm	76 In 193 cm	75 In 190 cm

**Model by Fluid Type: Mil-H-5606 = 02 Mil-H-83282 = 03 Skydrol = 05





Series 870 Hydraulic Power Unit Schematic

Ordering Instructions

Step 1: Determine Size of the Hydraulic Power Unit Required, Refer to Aircraft's Maintenance Manual For
 A. Maximum (GPM) Gallons Per Minute B. Maximum (PSI) Pound Per Square Inch

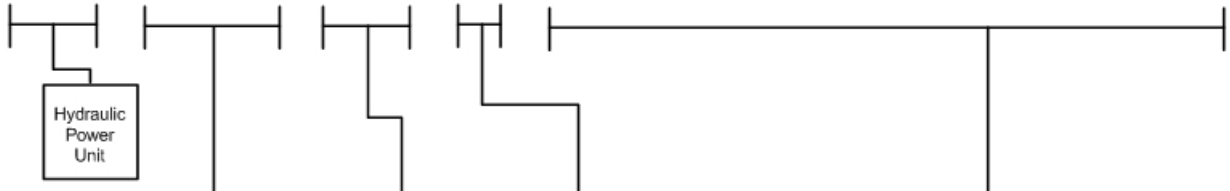
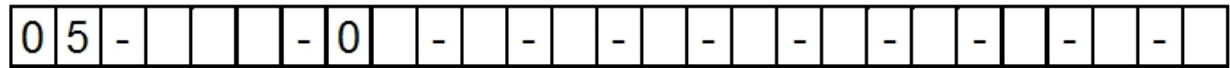
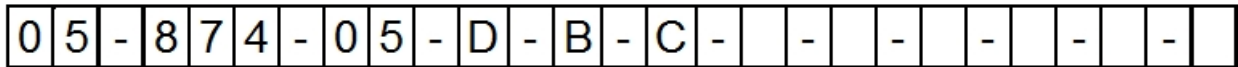
Step 2: Refer to Aircraft's Maintenance Manual for Type of Hydraulic Fluid.

Step 3: Call A&P Hydraulics experienced sales staff for any questions for explanation of the complete range of Hydraulic Power Unit Options that we offer.

EXAMPLE:

Hydraulic Power Unit – 50 GPM @ 4000 PSI – Skydrol Fluid – Diesel Engine

Optional: 50 ft. Hoses and Dual System



CHAR	GPM	LPM	PSI	BAR	HP	KW
872	20	76	4000	272	50	37
874	50	189	4000	272	100	75
876	70	264	4000	272	150	112
878	70	264	5000	340	200	149

CHAR	DESCRIPTION
D	Diesel Engine

CHAR	FLUID TYPE
2	Mil-H-5606
3	Mil-H-83282
5	Skydrol
6	Mil-PRF-87257

CHAR	OPTION DESCRIPTION
B	50 ft. Hoses
C	Dual System
M	Reservoir Hand Pump
T	Return Back Pressure w/ Sight Glass
U	Return Sight Glass
V	Return Back Pressure
W	Second Language Operation Placards & Owner's Manual
X	CE Compliant
Y	Custom Engineering