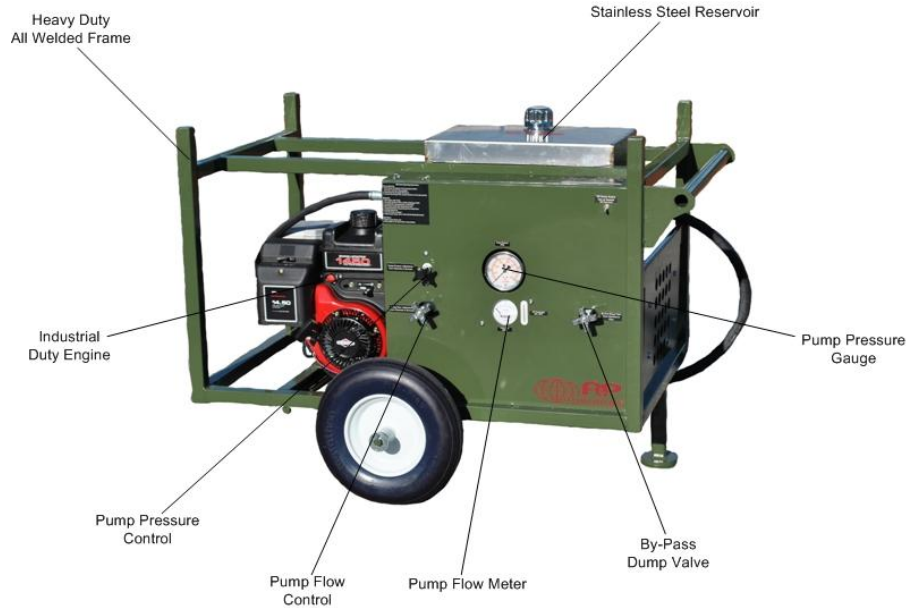


# GASOLINE POWERED HYDRAULIC POWER UNIT

**860  
Series**

**2 Year  
Warranty**

*Designed for Remote Operation or  
Maintenance Facility Without Electrical Power*



Model 05-861-05

**Standard Features:**

- High Pressure Piston Pump
- Electric Starter with Oversized Battery
- Complete Pump Pressure Adjustment (0 – 1800 PSI)
- Complete Pump Flow Adjustment
- All Models Have a Maximum Pressure of 4000 PSI
- High Pressure Piston Pump Will Produce 4000 PSI at Reduced Flows
- High Pressure, Dual Scale Flow Meter (4% Accuracy)
- 4" Liquid Filled Pressure Gauge (1% Accuracy)
- High Pressure Oil Temperature Gauge
- By-Pass Dump Valve
- High Efficiency, Non-Bypass Pressure Filter (3 Micron Absolute)
- Large Capacity Return Filter (6 Micron Absolute)
- Reservoir Selector Valves (To Use Either Aircraft's (Closed Loop) or Unit's Reservoir (Open Loop))
- Heavy Duty Oil Cooler with Fan
- Stainless Reservoir (12 gal capacity)
- Standard #8 Pressure Hoses and #12 Return Hoses, 15 ft. (4.5 m) Long
- Current Pressure Gauge and Flow Meter Certificate of Calibration
- Solid, Puncture Proof Wheels, Guaranteed No Flats
- All Welded Steel Tubing Frame
- Panel Mounted Controls for Ease of Operation and Operator Safety

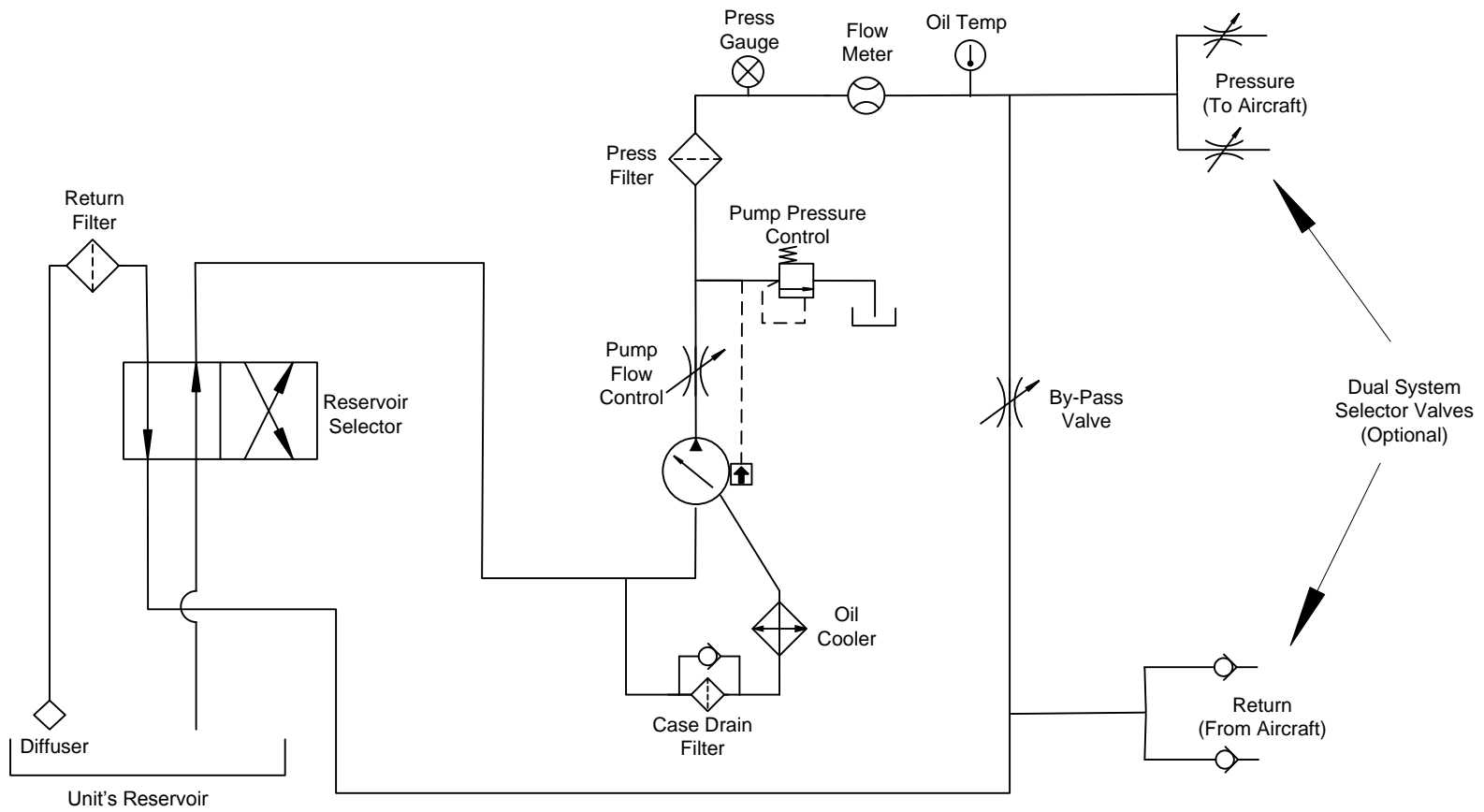
**SPECIFICATIONS:**

SERIES MODEL	STARTER	ENGINE HP (kw)	PUMP FLOW GPM (lpm) @ 1800 PSI	PUMP FLOW GPM (lpm) @ 4000 PSI	WEIGHT Lbs. (kg)
05-862-**	Electric Start	7.5 HP 5.5 kw	6 GPM 23 lpm	3 GPM 11 lpm	200 lbs 91 kg
05-864-**	Electric Start	14 HP 10.5 kw	10 GPM 38 lpm	6 GPM 23 lpm	275 lbs 125 kg
05-865-**	Electric Start	22 HP 16 kw	15 GPM 57 lpm	10GPM 38 lpm	555 lbs 252 kg

\*\*Model by Fluid Type: Mil-H-5606 = 02 Mil-H-83282 = 03 Skydrol = 05



9283 Industrial Blvd. Leland, NC 28451 USA  
Voice 910.371.1151 Fax 910.371.1152  
ap-hydraulics.com



Series 860 Hydraulic Power Unit Schematic

# Ordering Instructions

Step 1: Determine Size of the Hydraulic Power Unit Required, Refer to Aircraft's Maintenance Manual For

A. Maximum (GPM) Gallons Per Minute

B. Maximum (PSI) Pound Per Square Inch

Step 2: Refer to Aircraft's Maintenance Manual for Type of Hydraulic Fluid.

Step 3: Call A&P Hydraulics experienced sales staff for any questions for explanation of the complete range of Hydraulic Power Unit Options that we offer.

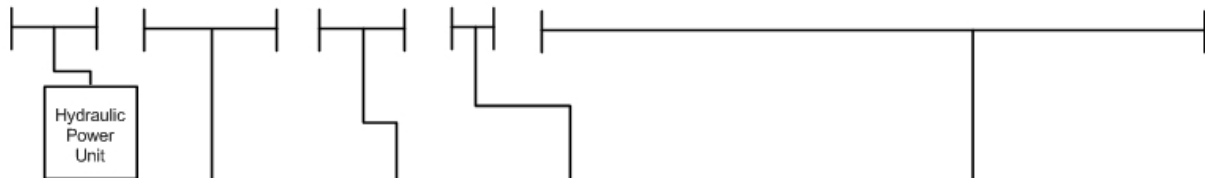
EXAMPLE:

Hydraulic Power Unit – 6 GPM @ 4000 PSI – Skydrol Fluid – Gasoline Powered

Optional: 25 ft. Hoses and Hour Meter

0 5 - 8 6 1 - 0 5 - G - A - F - - - - -

0 5 - - - - 0 - - - - - - - - - - -



CHAR	GPM	LPM	PSI	BAR	HP	KW
862	6	23	4000	272	7.5	5.5
864	10	38	4000	272	14	10.5
865	15	57	4000	242	22	16

CHAR	DESCRIPTION
G	Gasoline Engine

CHAR	FLUID TYPE
2	Mil-H-5606
3	Mil-H-83282*
5	Skydrol
6	Mil-PRF-87257

CHAR	OPTION DESCRIPTION
A	25 ft. Hoses
C	Dual System
D	Dual System w/ X-Over Check
F	Hour Meter
P	Reservoir Over Flow Hose
U	Return Sight Glass
T	Return Back Pressure w/ Sight Glass
W	Second Language Operation Placards & Owner's Manual
X	CE Compliant
Y	Custom Engineering