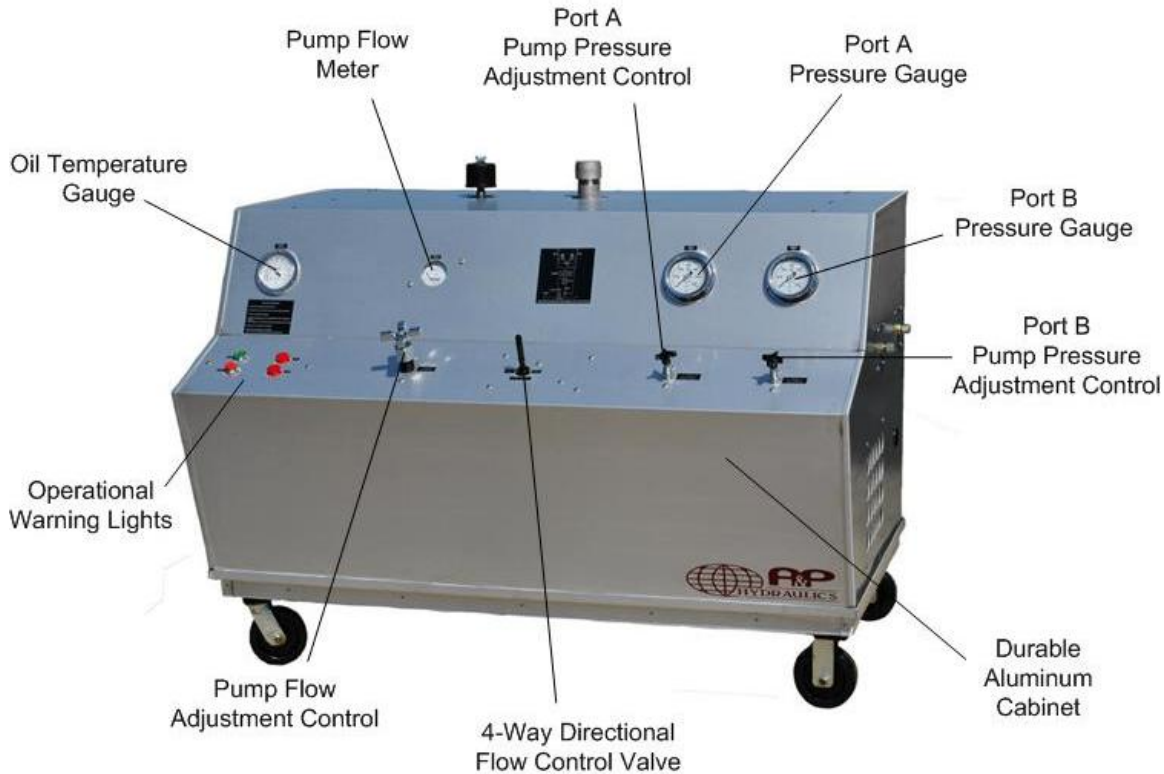


THRUST REVERSER TEST/ HYDRAULIC POWER UNIT

**630
Series**

**2 Year
Warranty**

*Compact Mobile Hydraulic Test Unit for Performing
Functional Test of the Thrust Reversers While Isolated
From the Rest of the Aircraft Hydraulic System*



Model 05-630-05

- **Performance Assured 100% Duty Cycle**
 1. Will deliver Maximum Flow @ Maximum Pressure
 2. Industrial Duty Lincoln® Motor
 3. Heavy Duty Motor Oilgear® Piston Pump
- **Panel Mounted Controls for Ease of Operation and Safety**
 1. Complete Pump Flow Adjustment (0-Full GPM)
 2. Complete Pump Pressure Adjustment For Port A and Port B
 3. By-Pass Dump Valve
- **Super Clean Filtration – Industry Leading Filtration Ensures Quality While Increasing Aircraft Component Life and Decreasing Aircraft Filter Changes**
 1. High Efficiency, Non-Bypass Pressure Filter (3 Micron Absolute)
 2. Large Capacity Return Filter (6 Micron Absolute)
- **Operational Warning Lights**
 1. Pressure Filter Condition LED Warning Indicator for Clogged Conditions
 2. Return Filter Condition LED Warning Indicator for Clogged Conditions
- **Instrumentation**
 1. Two Pressure Gauges (For Dual Pressure Range Testing)
 2. Test Quality 4" Pressure Gauge for Port A
 3. Test Quality 4" Pressure Gauge for Port B
 4. High Pressure Dual Scale Pump Outlet Flow Meter (4% Accuracy)
 5. Dual Scale Pyrometer / Oil Temperature Gauge
 6. Hour Meter for Maintenance Scheduling
- **Durable 0.90 Brushed Aluminum Cabinet Construction**
 1. Large Hinged Rear Access Door Provides Convenient Access and Inspection
 2. No Exterior Paint to Fade or Chip with Usage
 3. Guaranteed Not to Rust



9283 Industrial Blvd. Leland, NC 28451 USA
Voice 910.371.1151 Fax 910.371.1152
ap-hydraulics.com

THRUST REVERSER TEST/ HYDRAULIC POWER UNIT

*Compact Mobile Hydraulic Test Unit for Performing
Functional Test of the Thrust Reversers While Isolated
From the Rest of the Aircraft Hydraulic System*

Standard Features:

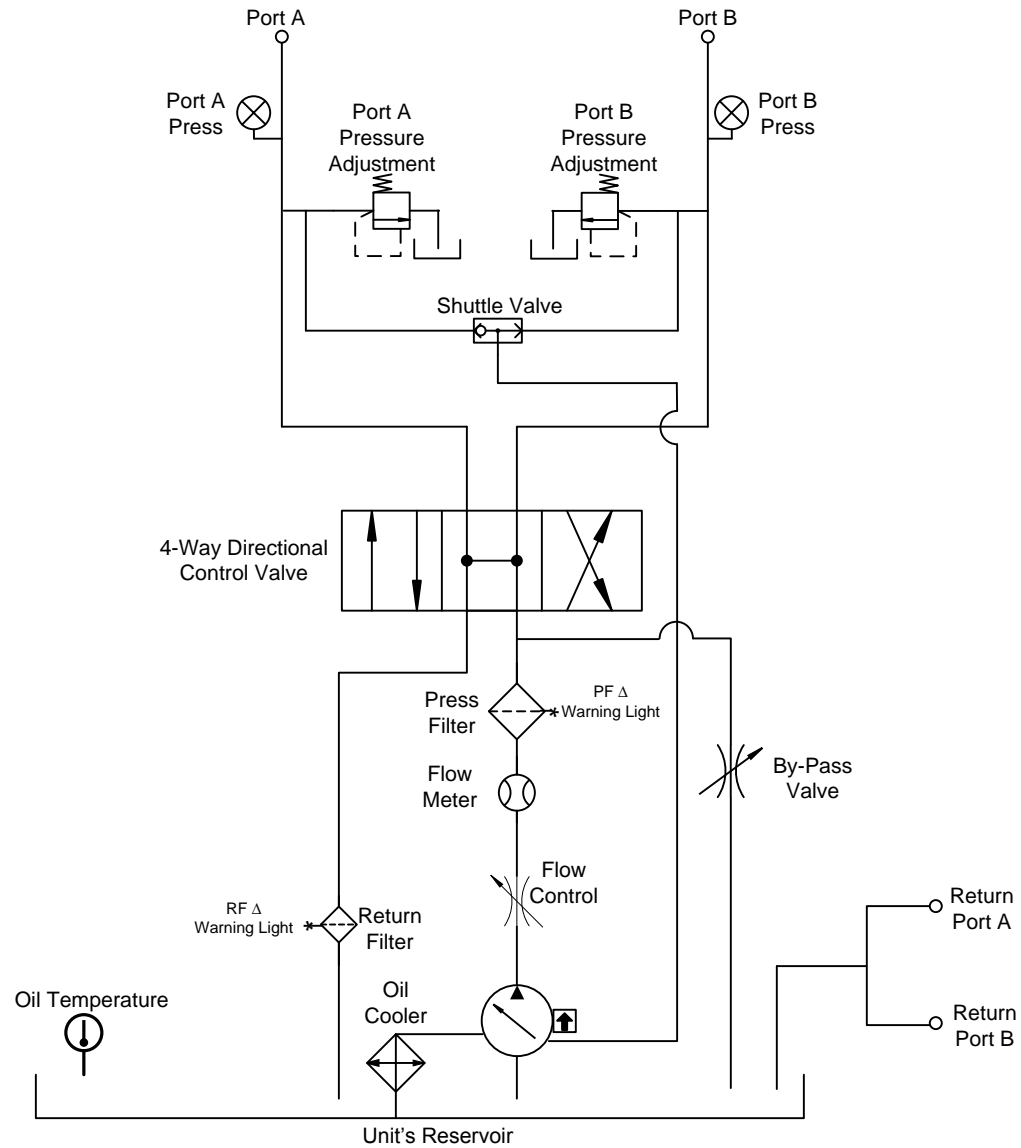
- Current Pressure Gauge and Flow Meter Certificate of Calibration
- High Efficiency Aluminum Oil Cooler with 3 Phase Electric Fan
- Stainless Steel Reservoir (20 gallons)
- Port A and Port B Standard #8 Pressure Hoses, 15 ft. (4.5 m) Long
- Standard 50 ft. (15.2 m) Electrical Input Cable
- Large Hinged Rear Access Door Provides Convenient Access and Inspection
- Easy Access Exterior Fluid Sampling Valve to Meet Quality Parameters
- All Welded .090 Aluminum Construction
- Heavy Duty Welded Frame
- All Electrical Components Installed in Liquid Tight Enclosure (NEMA 4, 12)
- Guaranteed No Leaks, Aluminum Pan Completely Covers Bottom of Unit
- Durable Aluminum, Laser Engraved Placards
- Panel Mounted Operational Instructions
- Easy Maneuvering Ensured with Two Fixed and Two Swivel Castors with Stability Provided by the Heavy Duty Floor Lock

Dimensions: Length 69 in (175 cm), Width 36 in (91 cm), Height 40 in (102 cm)

SPECIFICATIONS:				
SERIES MODEL	PUMP PRESSURE PSI (bar)	MOTOR HP (kw)	MAX PUMP FLOW GPM (lpm)	WEIGHT Lbs. (kg)
05-630-**	450 - 5000 PSI 30 - 340bar	10 HP 7.5 kw	4 GPM 14 lpm	775 lbs 351 kg
05-632-**	450 - 4000 PSI 30 - 272 bar	10 HP 7.5 kw	6 GPM 22 lpm	770 lbs 349 kg
05-634-**	450 - 4000 PSI 30 - 272 bar	20 HP 15 kw	10 GPM 37 lpm	850 lbs 385kg
05-635-**	450 - 5000 PSI 30 - 340 bar	25 HP 19 kw	10 GPM 37 lpm	950 lbs 431kg

**Model by Fluid Type: Mil-H-5606 = 02 Mil-H-83282 = 03 Skydrol = 05





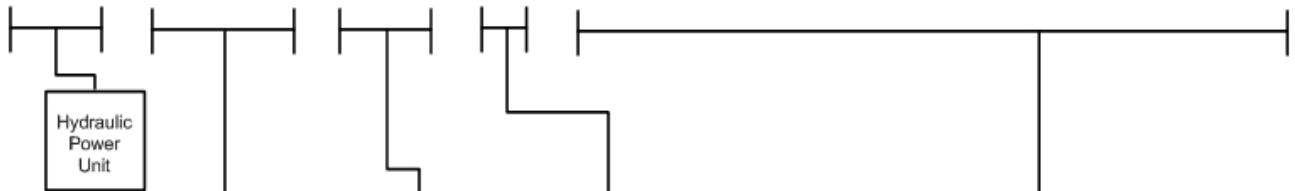
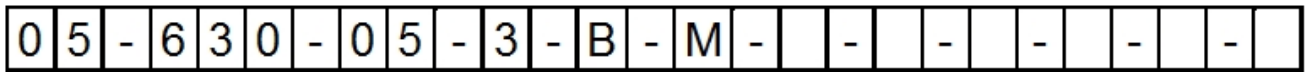
Series 630 Thrust Reverser Test/ Hydraulic Power Unit Schematic

Ordering Instructions

- Step 1: Determine Size of the Hydraulic Power Unit Required, Refer to Aircraft's Maintenance Manual For
 - A. Maximum (GPM) Gallons Per Minute
 - B. Maximum (PSI) Pound Per Square Inch
- Step 2: Refer to Aircraft's Maintenance Manual for Type of Hydraulic Fluid.
- Step 3: Determine the input voltage the Hydraulic Power Unit will be operated on. When ordering, the most common error is selecting Incorrect input voltages, 50 Hertz the flow will be reduced by 17%
- Step 4: Call A&P Hydraulics experienced sales staff for any questions for explanation of the complete range of Hydraulic Power Unit Options that we offer.

EXAMPLE:

Hydraulic Power Unit – 4 GPM @ 5000 PSI – Skydrol Fluid – 460 Volt 60 Hertz 3 Phase
 Optional: 50 ft. Hoses and Reservoir Hand Pump



CHAR	GPM	LPM	PSI	BAR	HP	KW
630	4	14	5000	340	10	7.5
632	6	22	4000	272	10	7.5
634	10	37	4000	272	20	15
635	10	37	4000	340	25	19

CHAR	VOLT/FREQ/PHASE
0	208V60Hz/3ph
1	220V60Hz/3ph
2	308V60Hz/3ph
3	460V60Hz/3ph
4	575V60Hz/3ph
5	200V50Hz/3ph
6	220V50Hz/3ph
7	380V50Hz/3ph
8	415V50Hz/3ph
9	440V50Hz/3ph

CHAR	FLUID TYPE
2	Mil-H-5606
3	Mil-H-83282
5	Skydrol

CHAR	OPTION DESCRIPTION
A	25 ft. Hoses
B	50 ft. Hoses
G	Voltage Monitor (208-220V)
H	Voltage Monitor (308-380V)
I	Voltage Monitor (415-460V)
J	Voltage Monitor (575V)
L	Reservoir Low Level LED Indicator
M	Reservoir Hand Pump
V	Return Back Pressure
W	Second Language Operation Placards & Owner's Manual
X	CE Compliant
Y	Custom Engineering

