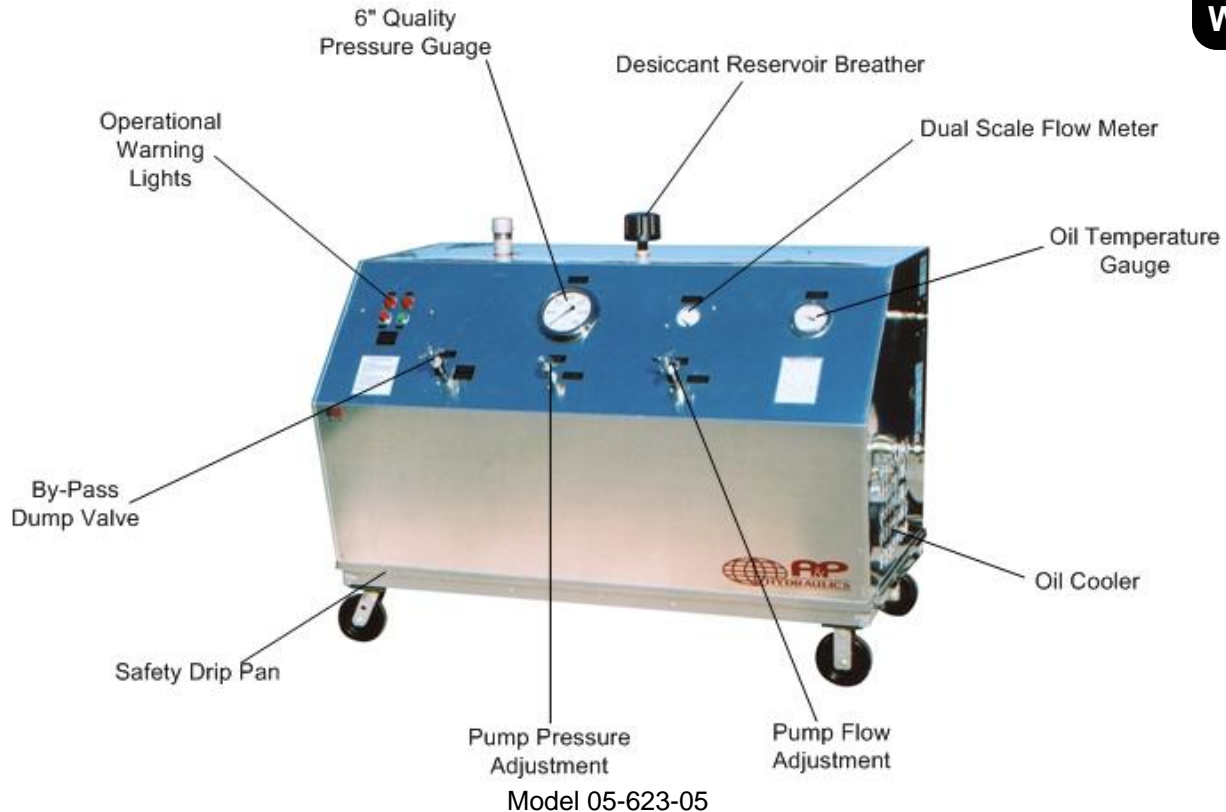


HEAVY DUTY HYDRAULIC POWER UNIT

**620
Series**

Designed to Meet the Requirements of Smaller Regional and Corporate Aircraft as Well as Helicopter Service Facilities

**2 Year
Warranty**



- **Performance Assured 100% Duty Cycle**
 1. Will deliver Maximum Flow @ Maximum Pressure
 2. Industrial Duty Lincoln® Motor
 3. Heavy Duty Motor Starter with Over Load Protection
- **Panel Mounted Controls for Ease of Operation and Safety**
 1. Complete Pump Flow Adjustment (0-Full GPM)
 2. Complete Pump Pressure Adjustment (250-Full PSI)
 3. By-Pass Dump Valve
- **Super Clean Filtration – Industry Leading Filtration Ensures Quality While Increasing Aircraft Component Life and Decreasing Aircraft Filter Changes**
 1. High Efficiency, Non-Bypass Pressure Filter (3 Micron Absolute)
 2. Large Capacity Return Filter (6 Micron Absolute)

*Desiccant (Water Absorbing) Reservoir Air Breather
- **Operational Warning Lights**
 1. Pressure Filter Condition LED Warning Indicator for Clogged Conditions
 2. Return Filter Condition LED Warning Indicator for Clogged Conditions
- **Instrumentation**
 1. High Pressure, Dual Scale Flow Meter (4% Accuracy)
 2. Test Quality 6" Pressure Gauge (1% accuracy)
 3. Dual Scale Pyrometer / Oil Temperature Gauge
 4. Hour Meter (To Schedule Maintenance)
- **Durable 0.90 Brushed Aluminum Cabinet Construction**
 1. Large Hinged Rear Access Door Provides Convenient Access and Inspection
 2. No Exterior Paint to Fade or Chip with Usage
 3. Guaranteed Not to Rust



9283 Industrial Blvd. Leland, NC 28451 USA
Voice 910.371.1151 Fax 910.371.1152
ap-hydraulics.com

HEAVY DUTY HYDRAULIC POWER UNIT

Designed to Meet the Requirements of Smaller Regional and Corporate Aircraft as Well as Helicopter Service Facilities

Standard Features:

- High Efficiency Aluminum Oil Cooler with 3 Phase Electric Fan
- Stainless Steel Reservoir (20 Gallons)
- Reservoir Selector Valves (to use either aircraft's or unit's reservoir)
- Standard #8 Pressure Hoses and #12 Return Hoses, 15 ft. (4.5 m) Long
- Standard 50 ft. (15.2 m) Electrical Input Cable
- All Welded .090 Aluminum Construction
- Heavy Duty Welded Frame
- All Electrical Components Installed in Liquid Tight Enclosure (NEMA 4, 12)
- Current Pressure Gauge and Flow Meter Certificate of Calibration
- Guaranteed No Leaks, Aluminum Pan Completely Covers Bottom of Unit
- Durable Laser Engraved , Aluminum Placards
- Panel Mounted Operational Instructions
- Easy Access Exterior Fluid Sampling Valve to Meet Quality Parameters
- Easy Maneuvering Ensured with Two Fixed and Two Swivel Castors with Stability Provided by the Heavy Duty Floor Lock
- Heavy Duty Bracket for Hose and Electrical Input Cord Storage
- Large Hinged Rear Access Door Provides Convenient Access and Inspection

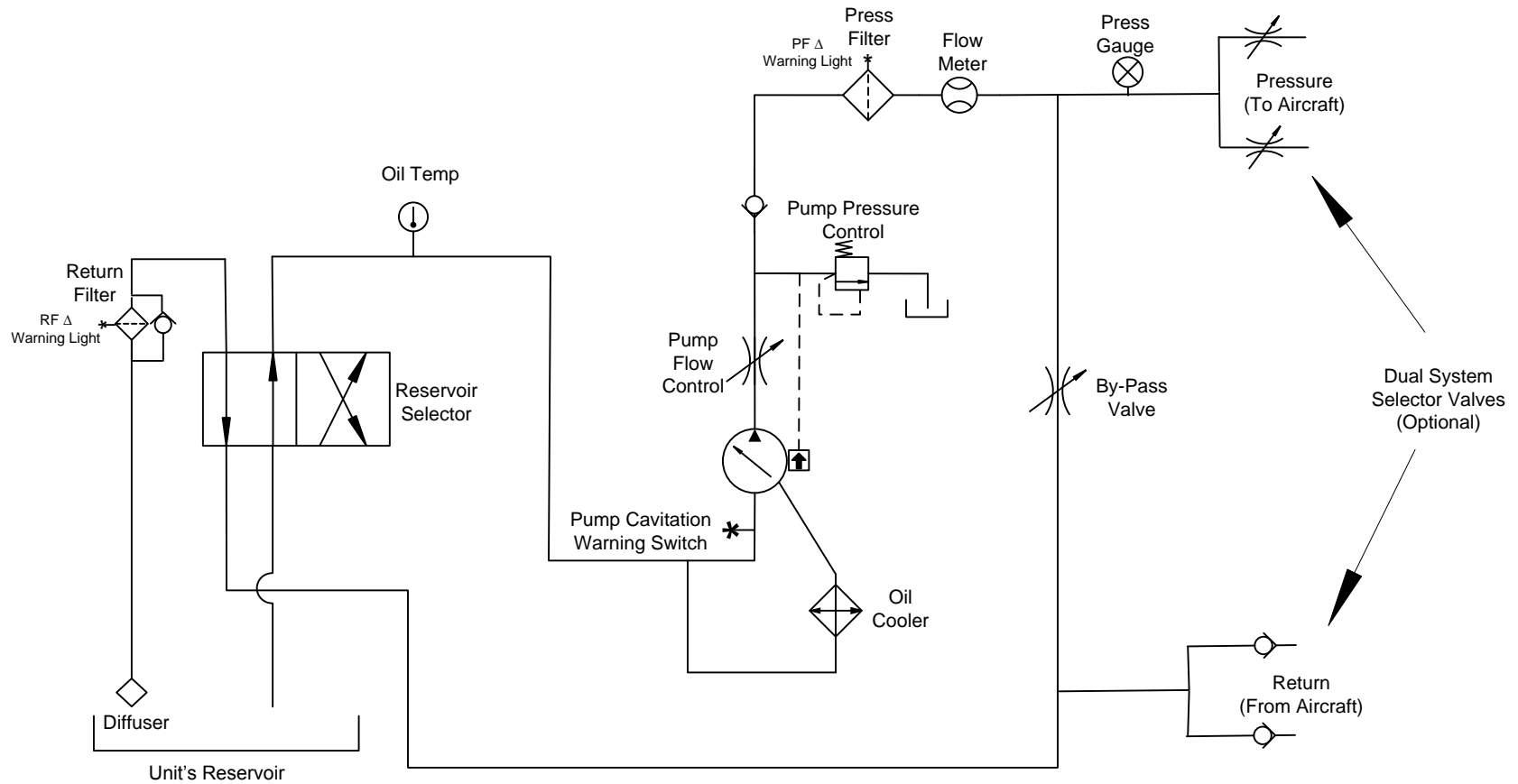
Dimensions: Length 69 in (175 cm), Width 36 in (91 cm), Height 40 in (102 cm)

SPECIFICATIONS:					
SERIES MODEL	PUMP PRESSURE PSI (bar)	MOTOR HP (kw)	PUMP FLOW		WEIGHT Lbs. (kg)
			50 Hz GPM (lpm)	60 Hz GPM (lpm)	
05-621-**	450 - 4000 PSI 30 - 272 bar	10 HP 7.5 kw	5 GPM 19 lpm	6 GPM 23 lpm	775 lbs 351 kg
05-622-03	450 - 4000 PSI 30 - 272 bar	10 HP 7.5 kw	5 GPM 19 lpm	6 GPM 23 lpm	775 lbs 351 kg
05-623-**	450 - 4000 PSI 30 - 272 bar	20 HP 15 kw	8 GPM 31lpm	10 GPM 39 lpm	1200 lbs 544 kg
05-624-**	450 - 5000 PSI 30 - 340 bar	25 HP 19 kw	9 GPM 34 lpm	11 GPM 41 lpm	1400 lbs 635 kg

**Model by Fluid Type: Mil-H-5606 = 02 Mil-H-83282 = 03 Skydrol = 05

Model 05-622-03 For Citation III, VI, VII Includes Reservoir Selector Valve, Pyrometer, and Return Sight Glass





Series 620 Hydraulic Power Unit Schematic

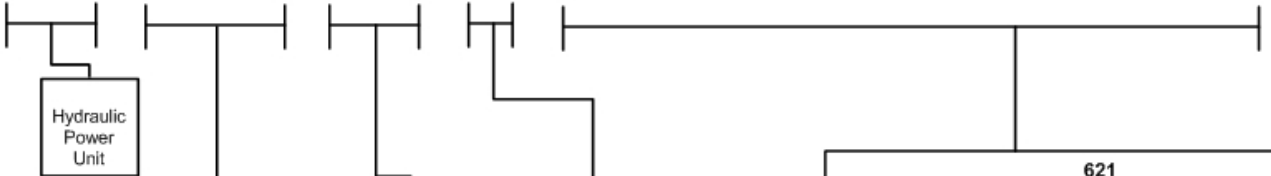
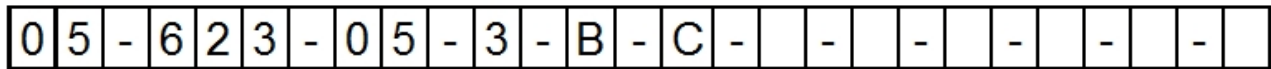
Ordering Instructions

- Step 1: Determine Size of the Hydraulic Power Unit Required, Refer to Aircraft's Maintenance Manual For
 A. Maximum (GPM) Gallons Per Minute B. Maximum (PSI) Pound Per Square Inch
- Step 2: Refer to Aircraft's Maintenance Manual for Type of Hydraulic Fluid.
- Step 3: Determine the input voltage the Hydraulic Power Unit will be operated on. When ordering, the most common error is selecting Incorrect input voltages, 50 Hertz the flow will be reduced by 17%
- Step 4: Call A&P Hydraulics experienced sales staff for any questions for explanation of the complete range of Hydraulic Power Unit Options that we offer.

EXAMPLE:

Hydraulic Power Unit – 10 GPM @ 4000 PSI – Skydrol Fluid – 460 Volt 60 Hertz 3 Phase

Optional: 50 ft. Hoses and Dual System



CHAR	GPM	LPM	PSI	BAR	HP	KW
621	6	23	4000	272	10	7.5
622	6	23	4000	272	10	7.5
623	10	39	4000	272	20	20
624	11	41	5000	340	25	25

CHAR	VOLT/FREQ/PHASE
B	220V60Hz/1ph*
0	208V60Hz/3ph
1	220V60Hz/3ph
2	308V60Hz/3ph
3	460V60Hz/3ph
4	575V60Hz/3ph
5	200V50Hz/3ph
6	220V50Hz/3ph
7	380V50Hz/3ph
8	415V50Hz/3ph
9	440V50Hz/3ph

*Only available for 621 and 622

CHAR	FLUID TYPE
2	Mil-H-5606
3	Mil-H-83282*
5	Skydrol
6	Mil-PRF-87257

*Only fluid type available for 622

621	
CHAR	OPTION DESCRIPTION
A	25 ft. Hoses
C	Dual System
D	Dual System w/ X-Over Check
M	Reservoir Hand Pump
P	Reservoir Over Flow Hose
T	Return Back Pressure w/ Sight Glass
U	Return Sight Glass
V	Return Back Pressure
W	Second Language Operation Placards & Owner's Manual
X	CE Compliant
Y	Custom Engineering

622	
CHAR	OPTION DESCRIPTION
A	25 ft. Hoses
M	Reservoir Hand Pump
V	Return Back Pressure
W	Second Language Operation Placards & Owner's Manual
X	CE Compliant
Y	Custom Engineering

623/624	
CHAR	OPTION DESCRIPTION
A	25 ft. Hoses
B	50 ft. Hoses
C	Dual System
D	Dual System w/ X-over Check
G	Voltage Monitor (208-220V)
H	Voltage Monitor (308-380V)
I	Voltage Monitor (415-460V)
J	Voltage Monitor (575V)
L	Reservoir Low Level LED Indicator
M	Reservoir Hand Pump
Q	Calibration Port
T	Return Back Pressure w/ Sight Glass
U	Return Sight Glass
V	Return Back Pressure
W	Second Language Operation Placards & Owner's Manual
X	CE Compliant
Y	Custom Engineering

